



## QVP5433E

### Thermal

- ▲ 384×288 uncooled detector
- ▲ 17um, NETD: <35mK(@25°C, F#=1.0)
- ▲ 12.3mm thermal imaging lens
- ▲ Temperature accuracy: ±0.5°C@(30°C~42°C); ±0.3°C@(30°C~42°C, with blackbody)
- ▲ ACB, DPC, 3D DNR, DDE
- ▲ Multi-palette: white, black, pseudo-color
- ▲ Temperature exception alarm

### Visible Light

- ▲ 5MP ( × ) @30 fps
- ▲ 1/2.7" BSI + NIR progressive CMOS image
- ▲ Min. Illumination: Color : 0.0125 lux @F2.0; AGC ON  
W/B: 0.008 lux @F2.0; AGC ON
- ▲ 8mm visible light lens
- ▲ 3D DNR, true WDR(120dB), HLC, BLC
- ▲ Built-in white light and loudspeaker
- ▲ Capturing 30 faces simultaneously

### SPECIFICATION

Thermal Module	
Detector Type	17um 384×288 Vanadium oxide uncooled focal plane detector
NETD	<35mK(@25°C, F#=1.0)
IRIS Type	Fixed Iris
Lens	12.3mm@F1.0
Field of View	29.7°×22.5°(H×V)
Min. Focusing Distance	1.34 m
Temperature Measuring Distance	2-6 m
Color Palettes	Black, White, Pseudo-color
Interfaces	
Network	RJ45
Video Output	No
Audio	1CH audio input; 1CH built-in speaker
Storage	Built-in micro SD card slot; up to 256GB
Reset	Yes
RS 485	Yes
Alarm	1CH alarm input; 1CH alarm output

## Visible Light Module

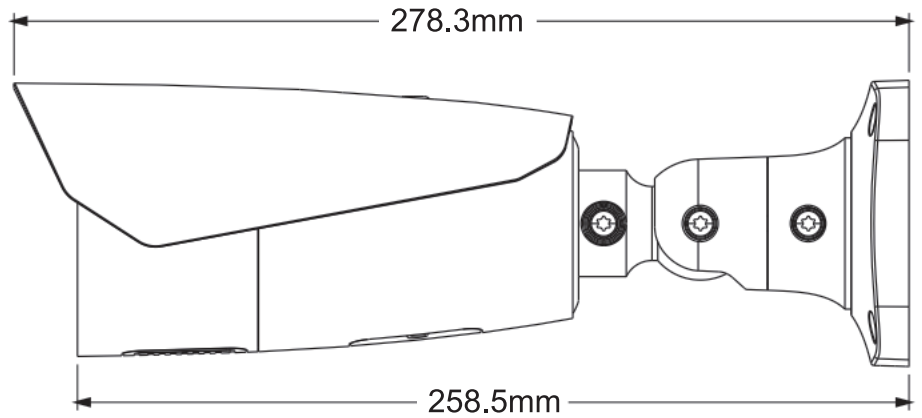
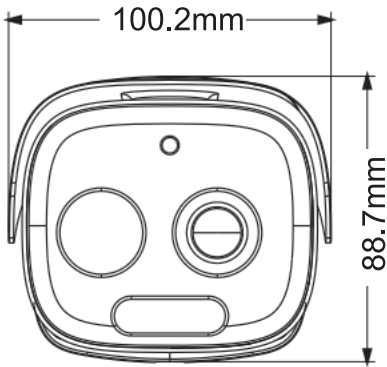
Image Sensor	1/ 2.7 "CMOS
Image Size	2592 × 1944
Electronic Shutter	1 / 30 s ~ 1 / 100000 s
Iris Type	Fixed Iris
Min. Illumination	0.0125 lux@F2.0,AGC ON; 0 lux with IR 0.0045 lux@F1.2,AGC ON; 0 lux with IR
Lens	8mm@F2.0
Field of View	38°×27.5°(H×V)
Wide Dynamic Range	120dB
BLC	Yes
HLC	Yes
Defog	Yes
Digital NR	2D/3D DNR

## Image

Video Compression	Smart H.265 / H.265+ / H.265 /Smart H.264 /H.264+ / H.264 / MJPEG
H.264 Compression Standard	Baseline Profile / Main Profile / High Profile
Resolution	Thermal : 384 × 288
	Visible Light: 5MP ( 2592 × 1944 ), 4MP ( 2592 × 1520 ), 2K ( 2560 × 1440 ), 3MP ( 2304 × 1296 ),1080P ( 1920 × 1080 ), 720P ( 1280 × 720 ), D1, CIF, 480 × 240
Main Stream	Thermal : 60Hz: 384 × 288 (1~30fps); 50Hz: 384 × 288 (1~25fps)
	60Hz: 5MP/4MP/2K/3MP/1080P/720P (1~30fps); 50Hz: 5MP/4MP/2K/3MP/1080P/720P (1~25fps)
Sub Stream	Thermal : 60Hz: 384 × 288 (1~30fps); 50Hz: 384 × 288 (1~25fps)
	Visible Light: 60Hz: 720P/D1/CIF (1~30fps); 50Hz: 720P/D1/CIF (1~25fps)
Third Stream	60Hz: D1/CIF/480 × 240(1~30fps); 50Hz: D1/CIF/480 × 240(1~25fps)
Image Settings	ROI, Saturation, Brightness, Chroma, Contrast,Wide Dynamic, Sharpen, NR,etc. adjustable through client software or web browser
Video & Data Overlay	The thermal image can be overlaid on visible light image The temperature can be overlaid on visible light image
Audio Compression	G711A/U
ROI	8 regions; each ROI to be configured separately

Functions	
Temperature Measurement	±0.5°C@(30°C~42°C, without blackbody) ±0.3°C@(30°C~42°C, with blackbody) A maximum of 30 people can be measured simultaneously
Temperature Alarm	High temperature alarm, low temperature alarm, temperature exception alarm
Remote Monitoring	Web browsing,CMS remote control
Online Connection	Support simultaneous monitoring for up to 10 users; Support multi-stream real time transmission
Network Protocol	IPv4,IPv6, UDP, DHCP, NTP, RTSP, PPPoE, DDNS, SMTP, FTP, SNMP,802.1x,UPnP,HTTP, HTTPS,QoS
Interface Protocol	ONVIF
Storage	Network remote storage; micro SD card storage
Smart Alarm	Motion detection, SD card error, SD card full, IP address conflict, Cable connection
Intelligent Analytics	Region intrusion/entrance/exiting (human/vehicle classification), line crossing(human/vehicle classification), scene change detection, missing/abandoned object detection, crowd density detection, line crossing people/vehicle counting, face detection, face capture
Sound&Light Warning	Yes
General Function	Watermark, IP address filtering, video mask, heartbeat, password protection, non-photosensitive switch, image distortion correction
PoE	Yes , IEEE802.3 af, class0
IR Distance	20 ~ 30 m
Protection Grade	IP67
Others	
Power Supply	DC12V / PoE
Power Consumption	< 9W
Operating Environment	- 20 °C ~ 50 (-4 umidity: less than 95 % (non-condensing) Temperature Screening Mode: 10 °C ~ 35 °C (no wind)
Certificate	CE, FCC
Environment Protection	Complies with Directive EU RoHS, WEEE(2012/19/EU) , directive
Dimensions ( mm )	278.3 × 100.2 × 88.7
Weight ( net )	Approx. 1.18KG
Installation	Ceiling mounting; Wall mounting

## Dimensions



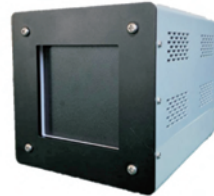
## Available accessories



Adapter Block

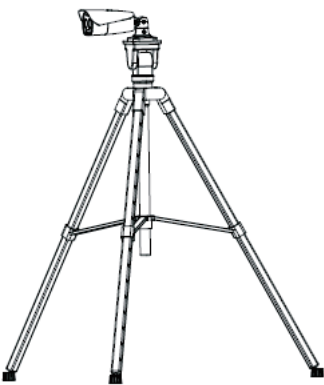


Tripod

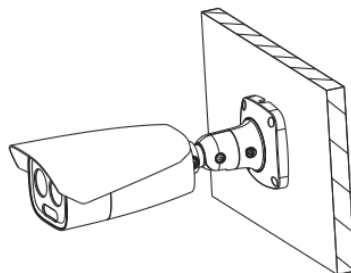


Blackbody

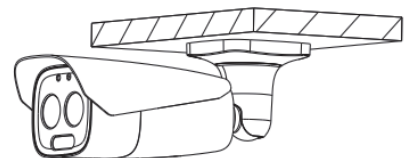
## Installation



Stand-mounted  
(Tripod + Adapter Block)



Wall-mounted  
(its own bracket)



Ceiling-mounted  
(its own bracket)