



QVP83DEA



Product Features

- ▲ Max.resolution: 3840 × 2160@30fps
- ▲ Smart H.265/H.264 coding
- ▲ ICR auto switch, true day / night
- ▲ 30 ~ 50m IR night view distance
- ▲ Motorized zoom lens
- ▲ 3D DNR, true WDR, HLC, BLC and ROI coding
- ▲ Support NIR and image distortion correction One CVBS output
- ▲ 1CH audio input, 1CH audio output and 1CH built-in MIC
- ▲ Built-in micro SD card slot, up to 128GB
- ▲ 1CH alarm input; 1CH alarm output
- ▲ DC12V/PoE power supply
- ▲ Support three streams
- ▲ P2P function optional
- ▲ IP67 protection grade
- ▲ Support mobile surveillance by smart phones with iOS and Android OS
- ▲ Intelligent analytics: Perimeter Protection, Target Counting, Exception Detection, Face Detection, General Intelligence



SPECIFICATION

Camera	
Image Sensor	1 / 1.8 "CMOS
Image Size	3840×2160
Electronic Shutter	1 / 25 s ~ 1 / 100000 s
Iris Type	DC Iris
Min. Illumination	0.01 lux @ F1.2,AGC ON; 0 lux with IR 0.008 lux @ F1.2, AGC ON; 0 lux with IR
Lens	2.8 mm~12mm@F1.5, motorized lens;
Field of View	Horizontal : 96°~45.6°;Vertical:64°~26.6°;Diagonal:103.8°~51.5°
Day&Night	ICR
Lens Mount	Φ14
BLC	Yes
HLC	Yes
Defog	Yes
Digital NR	3D DNR
Angle Adjustment	Pan: 0°~345°; Tilt:0°~77°; Rotation: 0°~345°
Wide Dynamic Range	120dB

Image

Video Compression	Smart H.265 / H.265+ / H.265 / Smart H.264 / H.264+ / H.264 / MJPEG
H.264 Compression Standard	Baseline Profile/Main Profile/High Profile
Resolution	8MP (3840 × 2160), 6MP(3072 × 2048),5MP(2592 × 1944), 4MP(2592 × 1520), 2K (2560 × 1440), 3MP (2304 × 1296), 1080P (1920 × 1080), 720P (1280 × 720), D1, CIF, 480 × 240
Main Stream	60Hz : 8MP/6MP(1~20fps), 5MP/4MP/2K/3MP/1080P/720P(1~30fps) 50Hz : 8MP/6MP(1~20fps), 5MP/4MP/2K/3MP/1080P/720P(1~25fps) HFR Mode: 1080P/720P(60Hz: 1~60fps; 50Hz: 1~50fps)
Sub Stream	60Hz : 1080P/ 720P/D1/480 × 240 (1~30fps); 50Hz: 1080P/ 720P/D1/480 × 240 (1~25fps)
Third Stream	60Hz : 720P/D1/CIF/480 × 240 (1~30fps); 50Hz: 720P/D1/CIF/480 × 240(1~25fps)
Bit Rate	64 Kbps ~ 12 Mbps
Bit Rate Type	VBR / CBR
Audio Compression	G711A / U
Image Settings	ROI, Saturation, Brightness, Chroma, Contrast,Wide Dynamic, Sharpen, NR,etc. adjustable through client software or web browser
ROI	Each ROI to be configured separately

Intelligent Analytics (Smart Events)

Perimeter Protection	Line crossing, region entrance/exiting/intrusion (human/motor vehicle/ non-motor vehicle classification)
Target Counting	Line crossing human/motor vehicle/non-motor vehicle counting
Exception Detection	Scene change, video blur and video color cast detection
Face Detection	Face detection and face capture
General Intelligence	Crowd density detection, heat map, object abandoned/missing detection*

Functions

Remote Monitoring	Web browsing, CMS remote control
Interface Protocol	ONVIF
Storage	Network remote storage; micro SD card storage
PoE	Yes
Online Connection	Support simultaneous monitoring for up to 10 users; Support multi-stream real time transmission
Network Protocol	UDP, IPv4, IPv6, DHCP, NTP, RTSP, PPPoE, DDNS, SMTP, FTP, 802.1x, UPnP, HTTP, HTTPs, QoS
Smart Alarm	Motion detection; sensor alarm, SD card error; SD card full, IP conflict; Network disconnection
General function	Watermark, IP address filtering, video mask, heartbeat, password protection, image distortion correction, NIR, etc
IR Distance	30 ~50 m
Protection Grade	IP 67&IK10

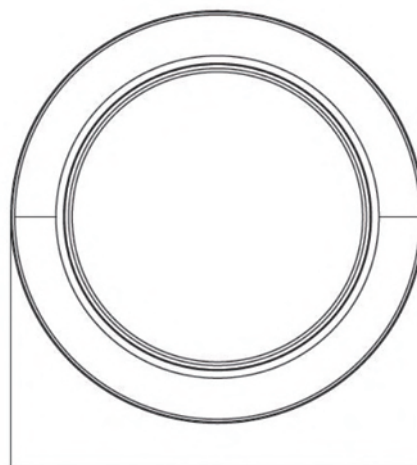
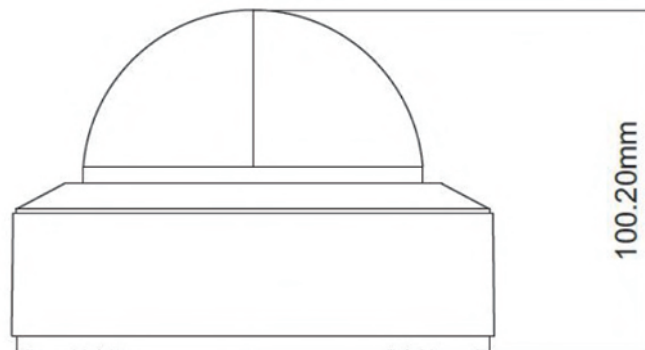
Interfaces

Network	RJ45
Audio	CVBS output (BNC×1)
Storage	Built-in micro SD card slot; up to 128GB
Reset	Yes
Video Output	No
Alarm	1CH alarm input; 1CH alarm output

Others

Power Supply	DC12V / PoE
Power Consumption	< 8W
Dimensions (mm)	$\Phi 141 \times 100.2$
Operating Environment	-30 °C ~ 60°C(-22°F~140°F) Humidity: less than 95 %(non-condensing)
Weight (net)	Approx.0.89KG
Installation	Ceiling mounting; Wall mounting

Dimensions



141.00mm